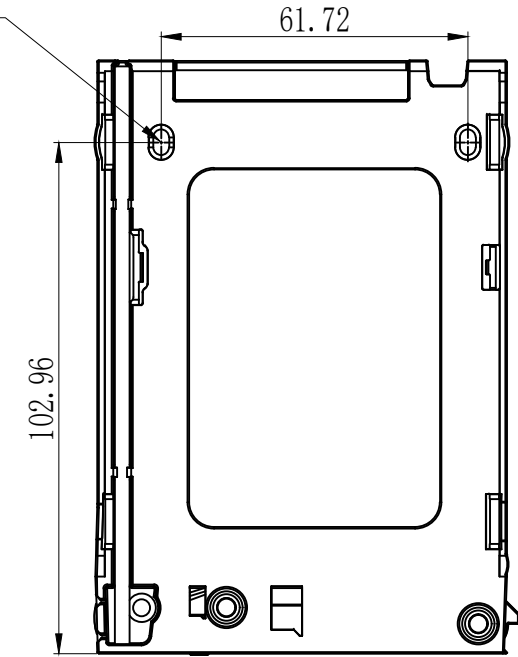


M3\*4 (Suggest screw size)



APPLIED MODEL

### CREMAX TECH CO., LTD.

TITLE		TOLERANCE	
MB742TP-B全组立			X ±0.20
		MATERIAL	X.X ±0.10
DRAWN 吴星荣		DATE 2021/02/22	SCALE FREE
CHECHED	DATE	PART NO.	UNIT mm
APPROVED	DATE	DWG. NO.	REV. 1.0
			SHEET 1 OF 1