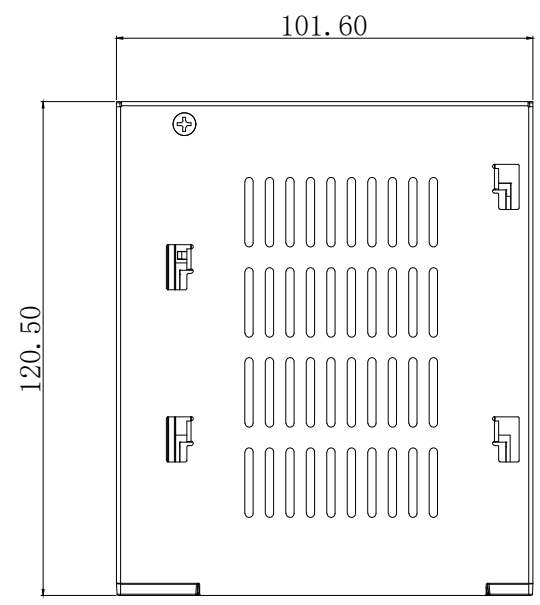
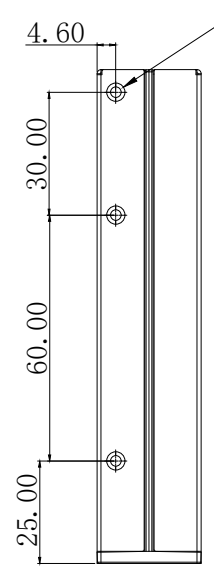
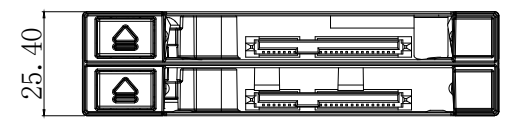
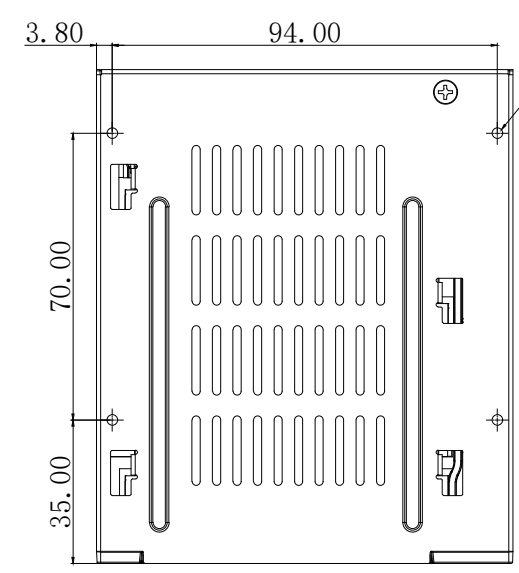
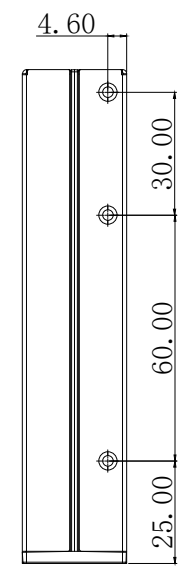


6-M3*2.5 (Suggest screw size)



4-φ2.6 (Self-tapping screw only)



CREMAX TECH CO., LTD.

TITLE		TOLERANCE	
MB522SP-B 全组立图		X.X ±0.15	
DRAWN	DATE	FINISHED	SCALE
CHECHED	2022/9/15	PART NO.	REV.
APPROVED	DATE	DWG. NO.	UNIT
			mm
			SHEET
			OF

APPLIED MODEL