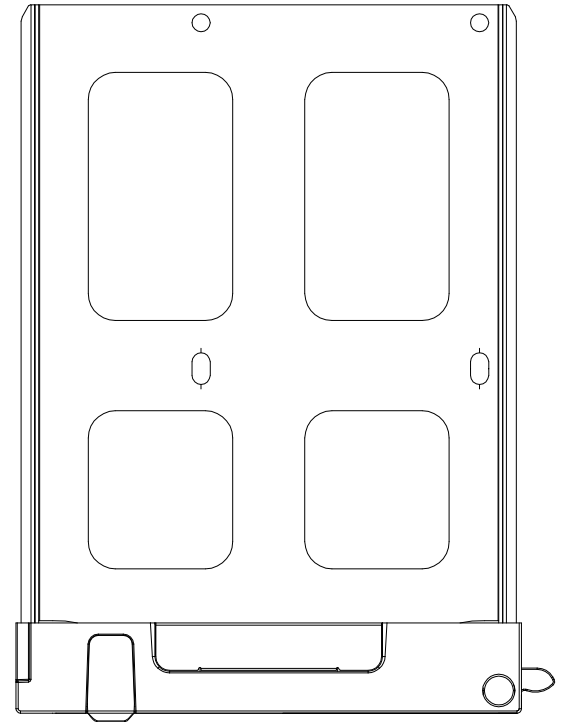
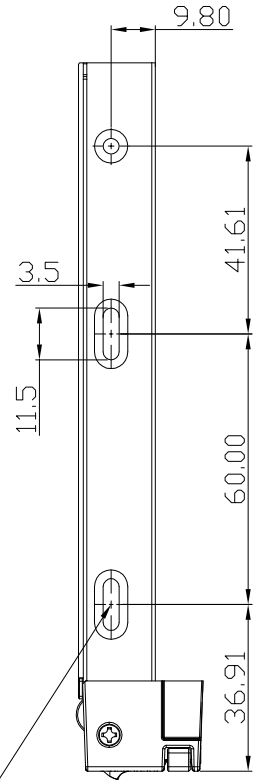
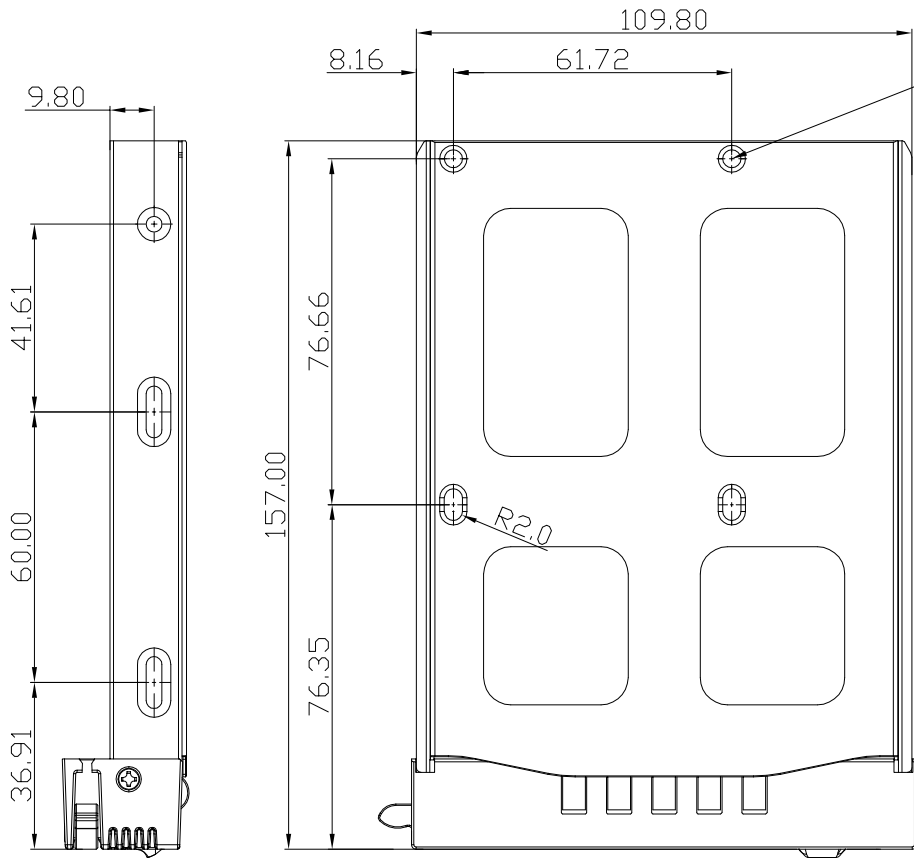
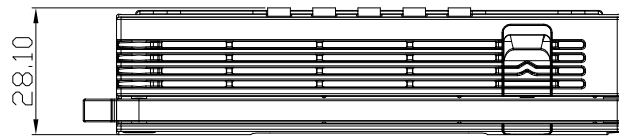


M3*4
(Suggest screw size)



#6-32*6
(Suggest screw size)



APPLIED MODEL

CREMAX TECH CO., LTD.

TITLE		TOLERANCE	
MB453TRAY-2B 组立图		X.X ±0.3	
DRAWN	DATE	FINISHED	SCALE
			1:1
CHECKED	DATE	PART NO.	UNIT
			mm
APPROVED	DATE	DWG. NO.	SHEET OF