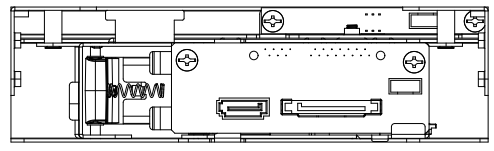
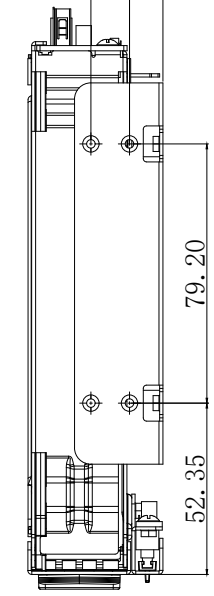


4-M3\*6 (Suggest screw size)



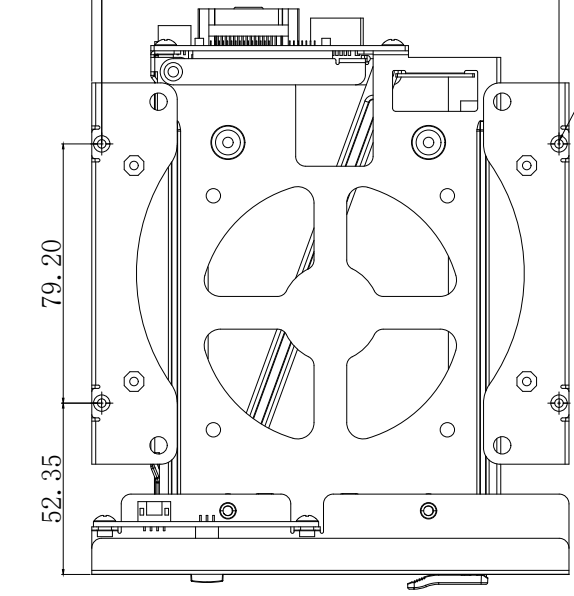
11.80 10.20



79.20

52.35

3.05 139.70

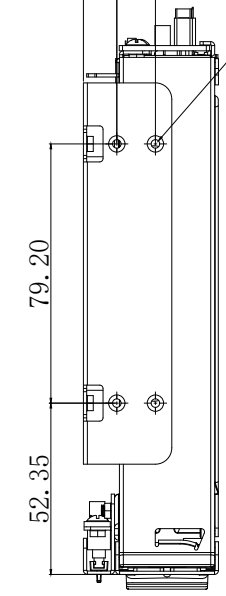


79.20

52.35

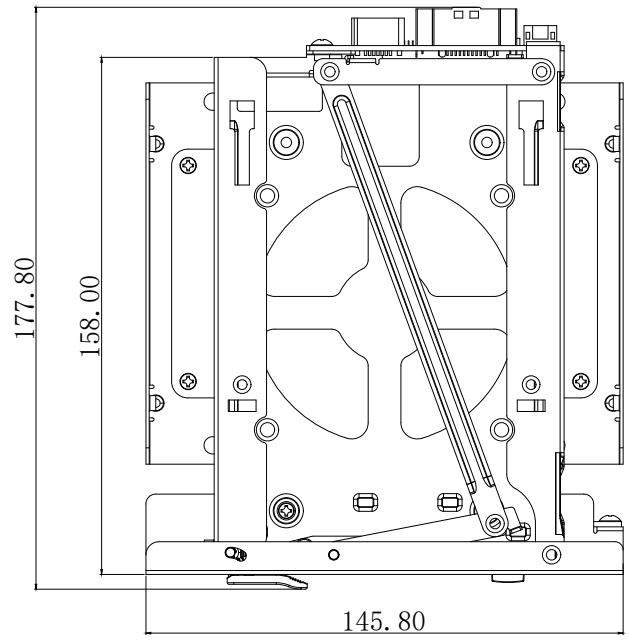
8-M3\*6 (Suggest screw size)

10.20 11.80



79.20

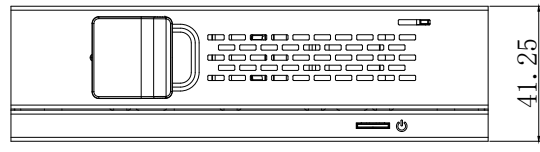
52.35



177.80

158.00

145.80



41.25

APPLIED MODEL

CREMAX TECH CO., LTD.

TITLE		TOLERANCE	
MB171SP-1B 全组立图		X.X ±0.3	
DRAWN	DATE	FINISHED	SCALE
	2022/9/15		1:1
CHECKED	DATE	PART NO.	UNIT
			mm
APPROVED	DATE	DWG. NO.	SHEET 1 of 1