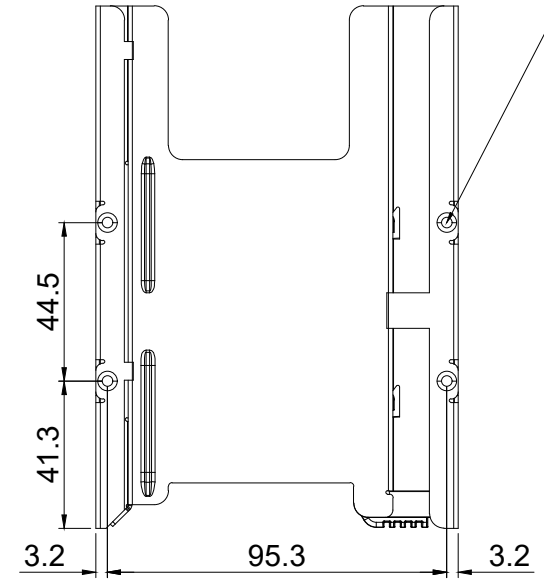
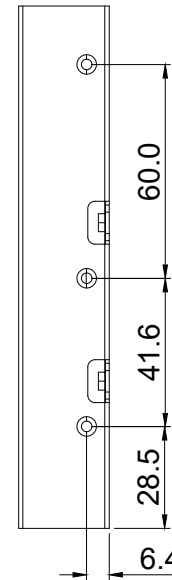
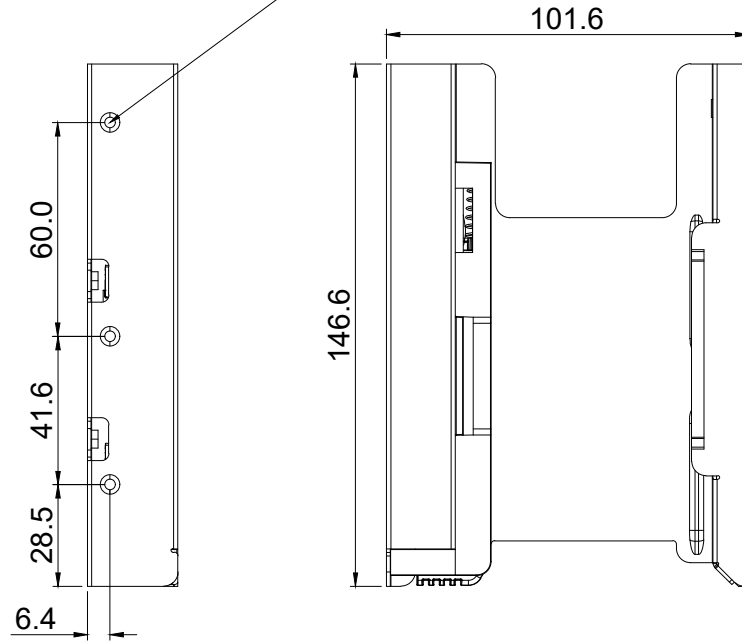


4-#6-32*6(Suggest screw size)



6-#6-32*6(Suggest screw size)



APPLIED MODEL

CREMAX TECH CO., LTD.				
TITLE		MATERIAL		TOLERANCE
MB082SP-1全组立图				XX ±0.2
DRAWN	DATE	FINISHED	SCALE	
	2023/3/28			
CHECKED	DATE	PART NO.	UNIT	REV.
			mm	
APPROVED	DATE	DWG. NO.	SHEET OF	